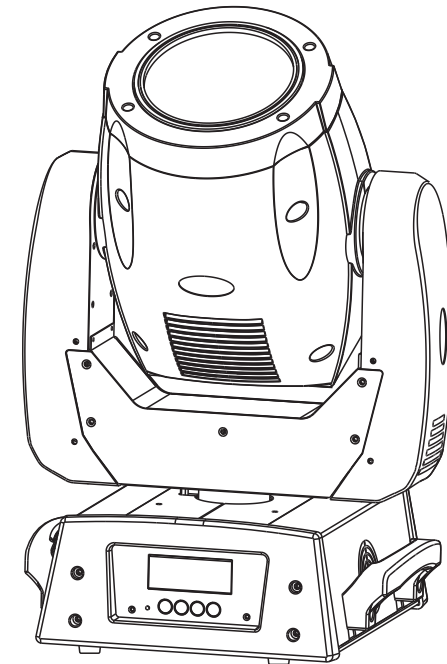


# SI-063G BEAM 230G



**ADD** 3rd Floor, No. 288, Guangzhu East Line, Pingwen, Lanhe Town,  
Nansha District, Guangzhou, China  
**Tel.** +86 20 8499 2310/2320/2330  
**Fax** +86 20 8499 2360  
**E-mail** info@color-imagination.com  
**Website** www.color-imagination.com

WiFi White Case CE E F IP20 230W 1.2m t<sub>a</sub> 40°C t<sub>c</sub> 100°C

**Follow  
us on**



[www.facebook.com/color.imagination.1](http://www.facebook.com/color.imagination.1)



[www.youtube.com/user/colorimaginationj](http://www.youtube.com/user/colorimaginationj)



[twitter.com/colorimaginej](http://twitter.com/colorimaginej)

# User Manual

KEEP THIS MANUAL FOR FUTURE NEEDS

# 1 SAFETY INSTRUCTIONS



## CAUTION

Becareful with your operations. With a dangerous voltage you cansuffer a dangerous electric shock when touching wires!

This device has left the factory in perfect condition. In order to maintain this condition and to ensure a safe operation, it is absolutely necessary for the user to follow the safety instructions and warning notes written in this user manual.



## IMPORTANT

Damages caused by the disregard of this user manual are not subject to warranty. The dealer will not accept liability for any resulting defects or problems.

If the device has been exposed to temperature changes due to environmental changes, do not switch it on immediately. The arising condensation could damage the device. Leave the device switched off until it has reached room temperature.

This device falls under protection-class I. Therefore it is essential that the device be earthed.

The electric connection must carry out by qualified person.

The device shall only be used with rate voltage and frequency.

Make sure that the available voltage is not higher than stated at the end of this manual.

Make sure the power cord is never crimped or damaged by sharp edges. If this would be the case, replacement of the cable must be done by an authorized dealer.

Always disconnect from the mains, when the device is not in use or before cleaning it. Only handle the power cord by the plug. Never pull out the plug by tugging the power cord.

During initial start-up some smoke or smell may arise. This is a normal process and does not necessarily mean that the device is defective, it should decrease gradually.

Please don't project the beam onto combustible substances.

Fixtures cannot be installed on combustible substances, keep more than 50cm distance with wall for smooth air flow, so there should be no shelter for fans and ventilation for heat radiation.

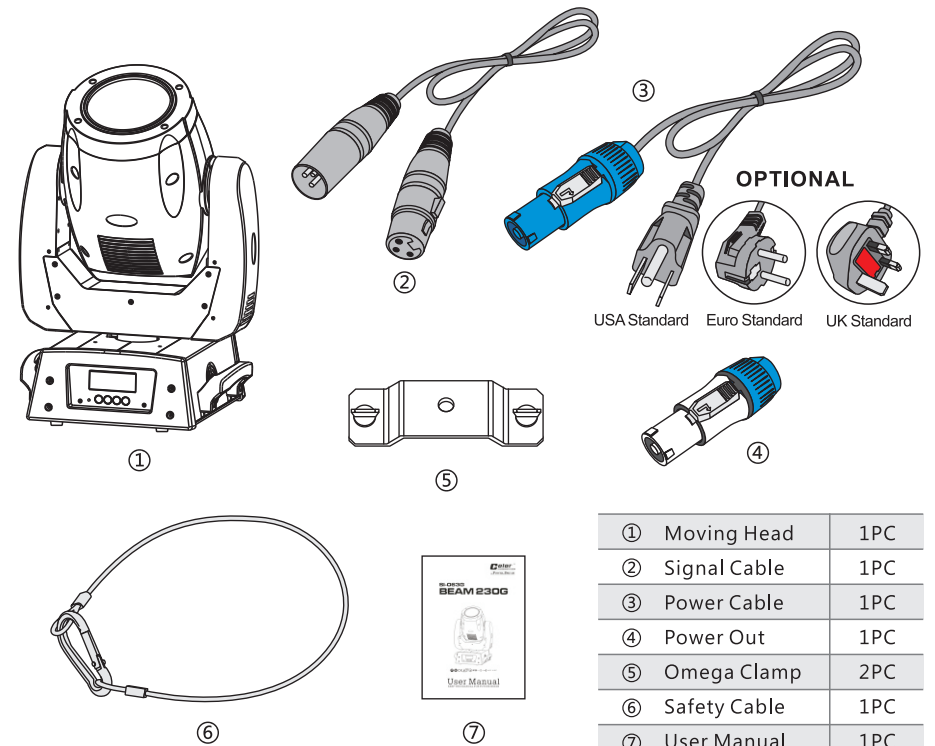
If the external flexible cable or cord of this luminaire is damaged, it shall be exclusively replaced by the manufacturer or his service agent or a similar qualified person in order to avoid a hazard.

# 2 UNPACKING

Thank you for choosing Color Imagination's BEAM 230G For your own safety, please read this manual before installing the device. This manual covers the important information on installation and applications. Please install and operate the fixture with following instructions. Meanwhile, please keep this manual well for future needs.

Color Imagination's BEAM 230G is made of a new type of high temperature strength of engineering plastics and cast aluminum casing with nice outlook. The fixture is designed and manufactured strictly following CE standards, complying with international standard DMX512 protocol. It's available independently controlled and linkable with each other for operation. And it is applicable for large-scale live performances, theater, studio, nightclubs and discos.

SI-063G adopts powerful Osram SIRIUS HRI 230W lamp with revolutionary technology which features high brightness and stability. Please carefully unpack it when you receive the fixture and check whether it is damaged during the transportation. And please check whether the following items are included inside the box:



①	Moving Head	1PC
②	Signal Cable	1PC
③	Power Cable	1PC
④	Power Out	1PC
⑤	Omega Clamp	2PC
⑥	Safety Cable	1PC
⑦	User Manual	1PC

### 3 FEATURES & SPECIFICATIONS

#### Features

- 3000 hour rated lamp source
- OSRAM SIRIUS HRI 230W VS60 (10200lumen, 7800K, 3000H) included
- 51970 Lux @ 20m
- 2.5° beam angle
- No need for adjustment of reflector or lamp
- Anti-reflection lenses
- 1 color wheel with total 12 colors plus open
- Variable direction rainbow effect with speed adjustable
- 1 rotatable gobo wheels with 13 rotatable and interchangeable gobos plus open
- Variable speed gobo scrolling in both directions
- 12.0mm outside, 8mm image diameter (Gobo Size)
- 1 rotatable 5-facet prism with speed adjustable and variable direction
- Macro-function for rotatable gobo/prism combinations
- Variable Frost Filter (Hybrid effect for Wash)
- Dual flag mechanical dimming system
- Variable speed strobe effect
- Preset variable/random strobe and dimming pulse effects
- Motor driven focus from near to far
- 540°/630° PAN and 265° TILT movement
- Automatic Pan / Tilt position correction
- 16 bit smooth and precise resolution for PAN/TILT movement
- 3-phase motors for fast, quiet and accurate Pan / Tilt positioning
- Vector Mode with blackout MIB function
- Blue LCD Display
- 14/12/12/16 DMX channels USITT DMX-512 (16CH for Vector Mode)
- Customizable DMX channel assignment (12CH)
- DMX, stand-alone, master/slave, sound activated mode
- DMX recorder and edit function integrated
- Software update
- Powercon IN/OUT
- 3-pin XLR serial IN/OUT
- Fan cooling system
- Constant temperature readout / management function
- DB rating @ 1M = 54,18db
- 2 x 1/4 turn fastening Omega Clamps
- Electronic ballast and power supply

#### Specifications

**Input Voltage:** AC90-260V 50/60Hz

**LED Quantities:** 1\* OSRAM SIRIUS HRI 230W VS60

**Control Signal:** DMX512, master-slave and sound activated or auto operation

**Control Channel:** 14/12/12/16 DMX Channels USITT DMX-512

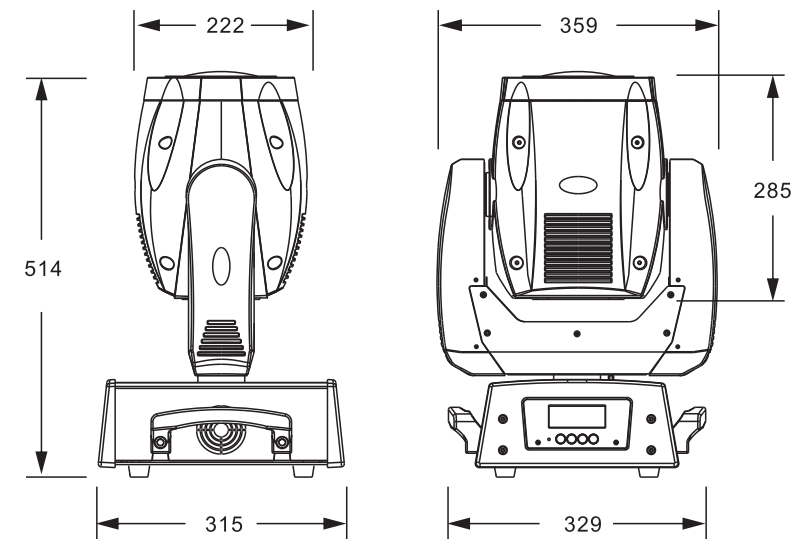
**Power Consumption:** 392W

**Dimensions:** 315(D)\*329(W)\*514(H)mm

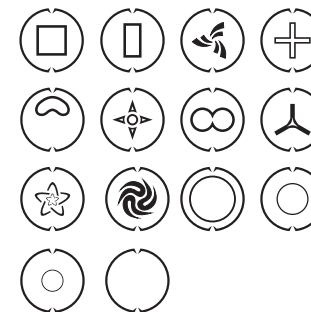
**Packing Dimensions:** 620(D)\*430(W)\*415(H)mm

**Net Weight:** 17.4kg

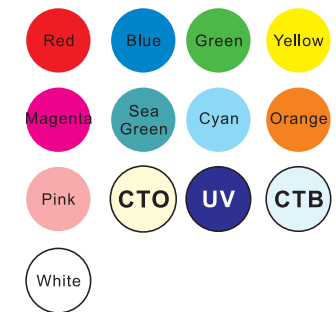
**Gross Weight:** 20.4kg



#### Rotating gobos



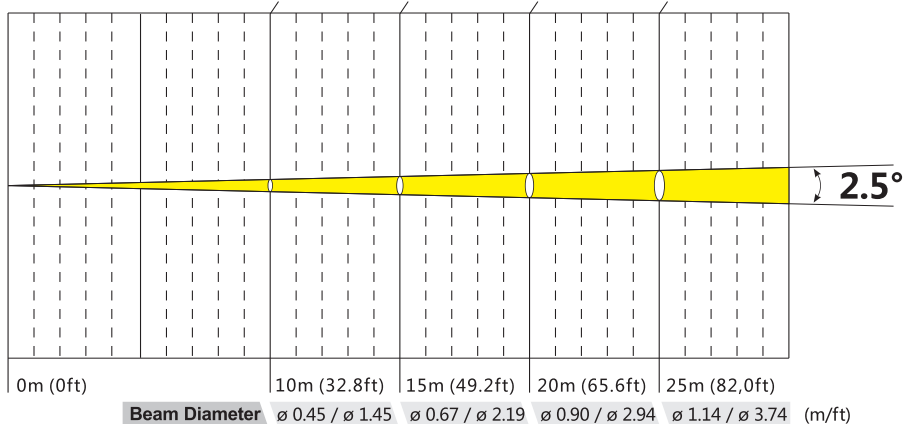
#### Colors



## 4 PHOTOMETRIC DATA

Photometric Beam Angle Data  $2.5^\circ$  Beam Angle  $LUX \times 0.0929 = FC$

BEAM 230G 10014 / 107790 7139 / 76840 4828 / 51970 2720 / 29280 (FC/LUX)



## 5 OPERATION INSTRUCTIONS

- The BEAM 230G is for beam effect for on-site decoration purpose.
- Don't turn on the fixture if it's been through severe temperature difference like after transportation because it might damage the light due to the environment changes. So make sure to operate the fixture until it is in normal temperature.
- This light should be keep away from strong shaking during any transportation or movement.
- Don't pull up the light by only the head, or it might cause damages to the mechanical parts.
- Don't expose the fixture in overheat, moisture or environment with too much dust when installing it. And don't lay any power cables on the floor. Or it might cause electronic shock to the people.
- Make sure the installation place is in good safety condition before installing the fixture.
- Make sure to put the safety chain and check whether the screws are screwed properly when installing the fixture.
- Make sure the lens are in good condition. It's recommended to replace the units if

there are any damages or severe scratch.

- Make sure the fixture is operated by qualified personnel who knows the fixture before using.
- Keep the original packages if any second shipment is needed.
- Don't try to change the fixtures without any instruction by the manufacturer or the appointed repairing agencies.
- It is not in warranty range if there are any malfunctions from not following the user manual to operate or any illegal operation, like shock short circuit, electronic shock, lamp broke, etc.

## 6 INSTALLATIONS

**Cautions:** For added protection mount the fixtures in areas outside walking paths, seating areas, or in areas where the fixture might be reached by unauthorized personnel.

Before mounting the fixture to any surface, make sure that the installation area can hold a minimum point load of 10 times the device's weight.

Fixture installation must always be secured with a secondary safety attachment, such as an appropriate safety cable.

Never stand directly below the device when mounting, removing, or servicing the fixture.

from a ceiling, or set on a flat level surface (see illustration below). Be sure this fixture is kept at least 0.5m (1.5 ft) away from any flammable materials (decoration etc.).

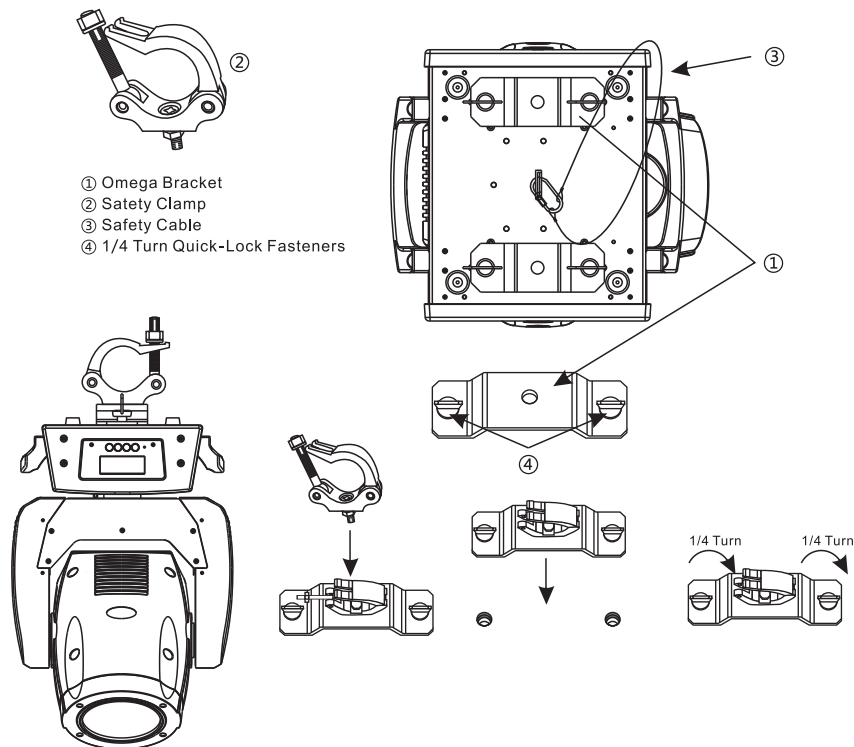
Always use and install the supplied safety cable as a safety measure to prevent accidental damage and/or injury in the event the clamp fails.

**Mounting points:** Overhead mounting requires extensive experience, including amongst others calculating working load limits, a fine knowledge of the installation material being used, and periodic safety inspection of all installation material and the fixture. If you lack these qualifications, do not attempt the installation yourself. Improper installation can result in bodily injury.

Be sure to complete all rigging and installation procedures before connecting the main power cord to the appropriate wall outlet.

**Clamp Mounting:** The BEAM 230G provides two unique mounting bracket assembly that integrates the bottom of the base, the included "Omega Bracket," and the safety cable rigging point in one unit (see the illustration below). When mounting this fixture to truss be sure to secure an appropriately rated clamp to the included omega bracket using a M10 screw fitted through the center hole of the "omega bracket". As an added safety measure be sure to attached at least one properly rated safety cable to the fixture using on of the safety cable rigging point integrated in the base assembly.

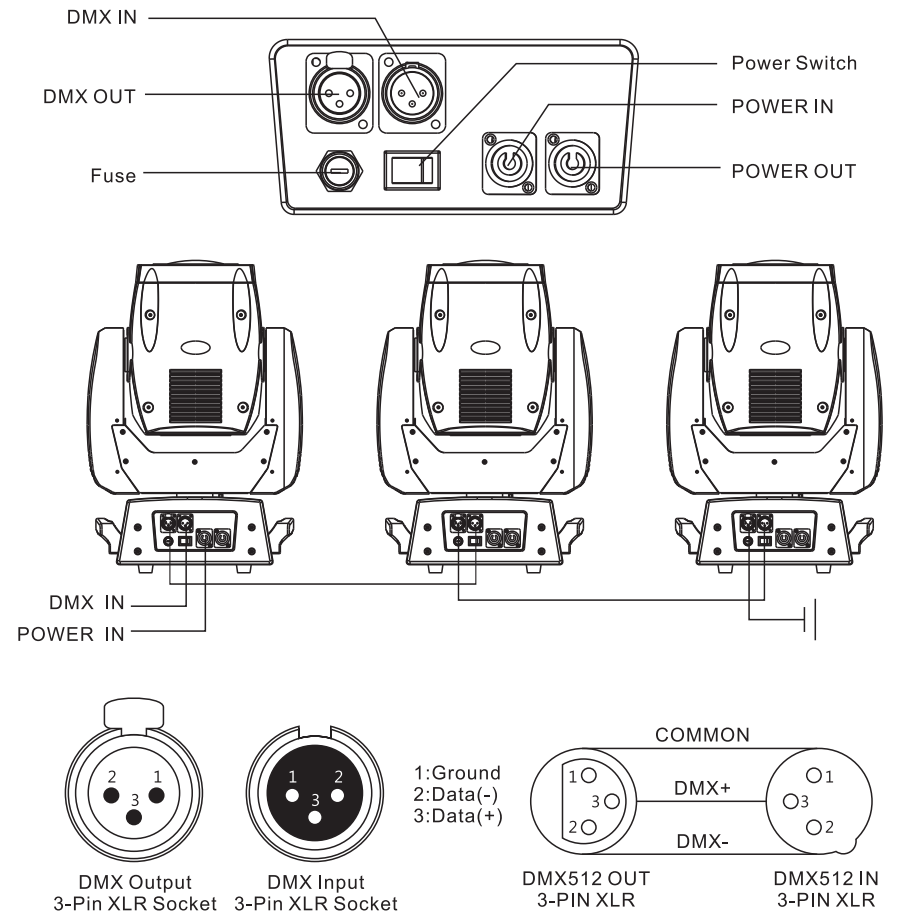
Regardless of the rigging option you choose for your BEAM 230G, always be sure to secure your fixture with a safety cable. The fixture provides a built-in rigging point for a safety cable on the hanging bracket as illustrated above. Be sure to only use the designated rigging point for the safety cable and never secure a safety cable to a carrying handle.



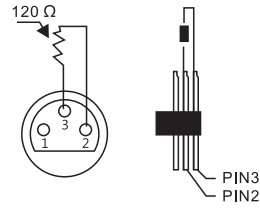
## 7 DMX-512 CONTROL CONNECTIONS

Connect the provided XLR cable to the female 3-pin XLR output of your controller and the other side to the male 3-pin XLR input of the moving head. You can chain multiple Moving head together through serial linking. The cable needed should be two core, screened cable with XLR input and output connectors. Please refer to the diagram below.

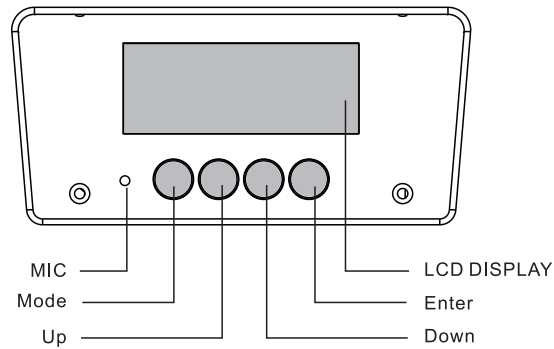
DMX-512 connection with DMX terminator



For installations where the DMX cable has to run a long distance or is in an electrically noisy environment, such as in a discotheque, it is recommended to use a DMX terminator. This helps in preventing corruption of the digital control signal by electrical noise. The DMX terminator is simply an XLR plug with a 120 Ω resistor connected between pins 2 and 3, which is then plugged into the output XLR socket of the last fixture in the chain. Please see illustrations below.



## 8 MENU OPERATIONS



MENU	Control Mode	DMX Address	A001~AXXX	
		Slave		
		Auto	Internal Program1~8	Master/Alone
		Music Control	Internal Program1~8	Master/Alone
	Reset	On/Off		
	Invert Pan	On/Off		
	Invert Tilt	On/Off		
	Mic sensitivity	0~99%		

MENU	Control	Reset Default	On/Off		
		Calibration	Code(Code:088)		
			PAN, TILT, Color Wheel, Gobo Wheel 1, Gobo Wheel 2, Focus		
		Temperature	XXX°C/°F		
		Manual Control	Lamp	On/Off	
			Channel	PAN=XXX.....	
		Set Signal Type	Wired DMX		
		Wireless DMX			
		Act WDMX & Out			
	Program Edit	Program1	Steps(1..48)		
...		Scenes 01	Pan=XXX...		
Program8		...	...		
		Scenes XX	Time=xx.xS		
DMX Channel Mode	Mode Set	16Bit Mode 8Bit Mode Vector Mode Design Mode			
	Design Mode Set	Max Channel = XX PAN = 001 ...			
Information	Lamp Hours	XXXX(Hours)			
	Clear Lamp Time	On/Off			
	Software Version	V1.0~V9.9			

# 9 DMX CHANNELS

Mode/Channel			Function	Values	Description				
16B	8B	DE							
1	1	9	Pan	0-255	PAN Movement				
2			Pan Fine	0-255	Fine control of Pan movement				
3	2	10	Tilt	0-255	Tilt Movement				
4			Tilt Fine	0-255	Fine control of Tilt movement				
5	3	3	Color Wheel	0-004	Open/White				
				005-008	Half White + Half Color 1				
				009-013	Color 1				
				014-017	Half Color 1 + Half Color 2				
				018-022	Color 2				
				023-026	Half Color 2 + Half Color 3				
				027-031	Color 3				
				032-035	Half Color 3 + Half Color 4				
				036-040	Color 4				
				041-044	Half Color 4 + Half Color 5				
				045-049	Color 5				
				050-053	Half Color 5 + Half Color 6				
				054-058	Color 6				
				059-062	Half Color 6 + Half Color 7				
				063-067	Color 7				
				068-071	Half Color 7 + Half Color 8				
				072-076	Color 8				
				077-080	Half Color 8 + Half Color 9				
				081-085	Color 9				
				086-089	Half Color 9 + Half Color 10				
				090-094	Color 10				
				095-098	Half Color 10 + Half Color 11				
				099-103	Color 11				
				104-107	Half Color 11 + Half Color 12				
				108-112	Color 12				
				113-116	Half Color 12 + Half Color 13				
				117-121	Color 13				
				122-127	Half Color 13 + Half White				
				128-189	Forwards rainbow effect from fast to slow				
				190-193	Color rotation stop				
				194-255	Backwards rainbow effect from slow to fast				
								0-007	Open
								008-015	Gobo 1
				016-023	Gobo 2				

6	4	4	Gobo Wheel	024-031	Gobo 3
				032-039	Gobo 4
				040-047	Gobo 5
				048-055	Gobo 6
				056-063	Gobo 7
				064-071	Gobo 8
				072-079	Gobo 9
				080-087	Gobo 10
				088-095	Gobo 11
				096-103	Gobo 12
				104-111	Gobo 1 shake from slow to fast
				112-119	Gobo 2 shake from slow to fast
				120-127	Gobo 3 shake from slow to fast
				128-135	Gobo 4 shake from slow to fast
				136-143	Gobo 5 shake from slow to fast
				144-151	Gobo 6 shake from slow to fast
				152-159	Gobo 7 shake from slow to fast
				160-167	Gobo 8 shake from slow to fast
				168-175	Gobo 9 shake from slow to fast
				176-183	Gobo 10 shake from slow to fast
184-191	Gobo 11 shake from slow to fast				
192-199	Gobo 12 shake from slow to fast				
200-255	Rot. gobo wheel cont. rotation from slow to fast				
7	5	5	Gobo rotation	0-003	Gobo rotation stop
				004-127	Forwards gobo rotation from fast to slow
				128-131	Gobo rotation stop
				132-255	Backwards gobo rotation from slow to fast
8	6	1	Shutter, Strobe	0-031	Shutter closed
				032-063	Shutter open
				064-095	Strobe effect slow to fast
				096-127	Shutter open
				128-159	Pulse strobe effect in sequences from slow to fast
				160-191	Shutter open
192-223	Random strobe effect from slow to fast				
224-255	Shutter open				
9	7	2	Dimmer	0-255	0-100% Linear dimmer
10	8	6	Focus	0-255	In(near) to out(far)
11	9	7	Rotating prism, Prism, Gobo macros	0-005	OFF
				006-127	ON
				128-189	Forwards rotation from fast to slow
				190-193	Prism rotation stop
				194-255	Backwards rotation from slow to fast



12	10	8	Frost	0-199	Frost swing out
				200-255	Frost swing in
13	11	11	Speed Pan/Tilt	0-225	Max to min speed
				226-235	Blackout by movement
				236-245	Blackout by all wheel changing
				246-255	No function
14	12	12	Special	0-019	No function
				020-029	No function
				030-039	No function
				040-059	Lamp on
				060-079	Lamp switch off
				080-099	Motor reset
				100-119	Internal program 1
				120-139	Internal program 2
				140-159	Internal program 3
				160-179	Internal program 4
				180-199	Internal program 5
				200-219	Internal program 6
220-239	Internal program 7				
240-255	Internal program 8				

Vector Mode	Function	Values	Description
15	Color Time	0-255	Max to min speed for color wheel, from fast to slow
16	Gobo Time	0-255	Max to min speed for gobo wheel, from fast to slow

## 10 MAINTENANCE AND CLEANING

The following points have to be considered during the inspection:

- 1) All screws for installing the devices or parts of the device have to be tightly connected and must not be corroded.
- 2) There must not be any deformations on the housing, color lenses, fixations and installation spots (ceiling, suspension, trussing).
- 3) Mechanically moved parts must not show any traces of wearing and must not rotate with unbalances.
- 4) The electric power supply cables must not show any damage, material fatigue or sediments.

Further instructions depending on the installation spot and usage have to be adhered by a skilled installer and any safety problems have to be removed.



### CAUTION

Disconnect from mains before starting maintenance operation.



In order to make the lights in good condition and extend the life time, we suggest a regular cleaning to the lights.

- 1) Clean the inside and outside lens each week to avoid the weakness of the lights due to accumulation of dust.
- 2) Clean the fan each week.
- 3) A detailed electric check by approved electrical engineer each three month, make sure that the circuit contacts are in good condition, prevent the poor contact of circuit from overheating.

We recommend a frequent cleaning of the device. Please use a moist, lint- free cloth. Never use alcohol or solvents.

There are no serviceable parts inside the device. Please refer to the instructions under "Installation instructions".

Should you need any spare parts, please order genuine parts from your local dealer.